



SPECIFICATION MODEL CX-800N

IMPEDANCE / 50 Ohms.

VOLTAGE

ACTUATION DATA :

VOLTAGE :

Pull in 10Vdc - 14Vdc (12Vdc Nominal)

Drop out 3.0Vdc Min.

Current 226mA 12Vdc @20°C

Coil resistance ... 53 Ohms 10% @ 20°C

SWITCHING TIME

SWITCHING DATA :

Pull in 20ms max.

Drop out 15ms max.

LIFE EXPECTANCY ... 1,000,000. Operation min.

MECHANICAL

MECHANICAL :

Contact arrangement DPDT

Operational temperature - 25°C to + 50°C (Max Temperature Rise:20c)

Weight Approx 365gs.

Mounting 2 MTG holes

Cable connections 6N Type female connectors.

ELECTRICAL CHARACTERISTICS

ELECTRICAL CHARACTERISTICS :

Frequency	VSWR	Isolation	Ins.Loss	IN PUT RF Power
MHz	Max	-dB(min)	-dB(max)	W(PEP)
50	1.1	50	0.15	1000
150	1.15	48	0.15	1000
500	1.15	37	0.2	800
1000	1.18	28	0.2	500
1500	1.2	26	0.2	350
2000	1.3	23	0.3	150

COIL CHARACTERISTICS

COIL CHARACTERISTICS :

Nominal Voltage.

12Vdc

24Vdc

26.5Vdc

Voltage Range

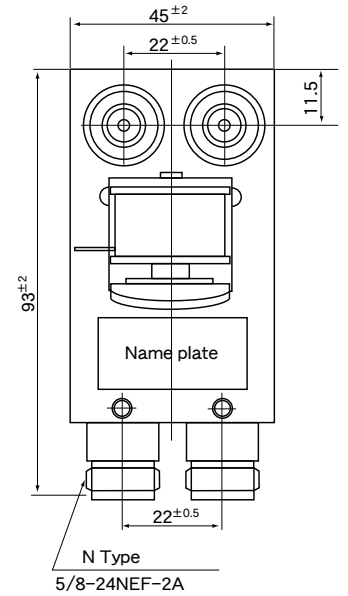
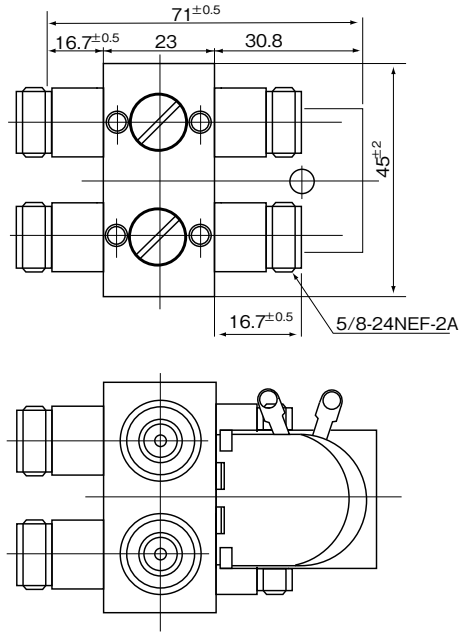
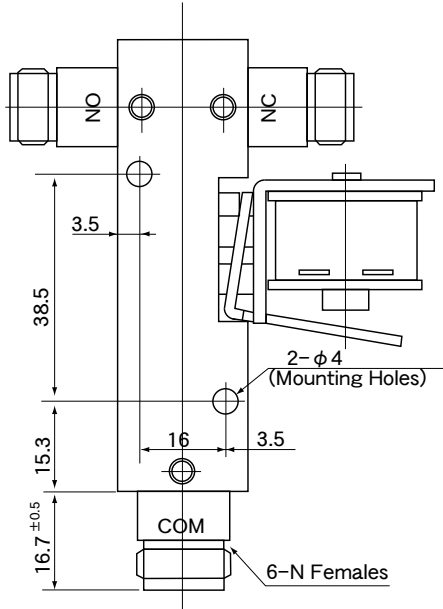
10Vdc - 14Vdc

Resistance Ohms

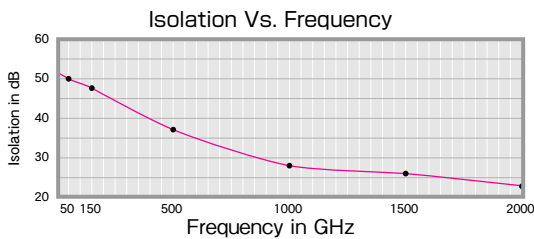
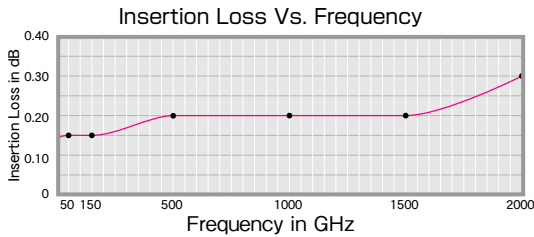
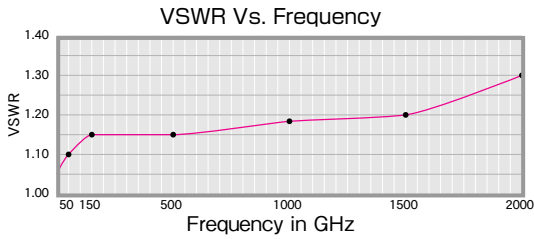
53 ±10% 20°C

DIMENSIONS

SCALE m/n



Typical Operating Curves



Schematic

