

SPECIFICATION

MODEL

CX-540D

IMPEDANCE/50 Ohms.

VOLTAGE

ACTUATION DATA :

VOLTAGE :

Pull in 10Vdc - 14Vdc (12Vdc Nominal)

Drop out 3.0Vdc Min.

Current 139mA @12Vdc 20°C

Coil resistance ... 86 Ohms 10% 20°C

SWITCHING TIME

SWITCHING TIME :

Pull in 20ms max.

Drop out 15ms max.

LIFE EXPECTANCY 1,000,000. - Operation min.

MECHANICAL

MECAHANICAL :

Contact arrangement SPDT

Operational temperature - 25°C to + 50°C (Max Temperature Rise:20c)

Weight Approx 230gs.

Mounting Four screws

Cable connections 3-BNC Type female connectors.

ELECTRICAL CHARACTERISTICS

ELECTRICAL CHARACTERISTICS :

Frequency	VSWR	Isolation	Ins.Loss	IN PUT RF Power
MHz	Max	-dB(min)	-dB(max)	KW
50	1.005	65	0.1	0.35
150	1.01	60	0.15	0.3
500	1.03	53	0.18	0.3
1000	1.05	46	0.2	0.25
1500	1.17	42	0.2	0.2
2000	1.2	39	0.25	0.15

COIL CHARACTERISTICS

COIL CHARACTERISTICS :

Nominal Voltage

12Vdc

Voltage Range

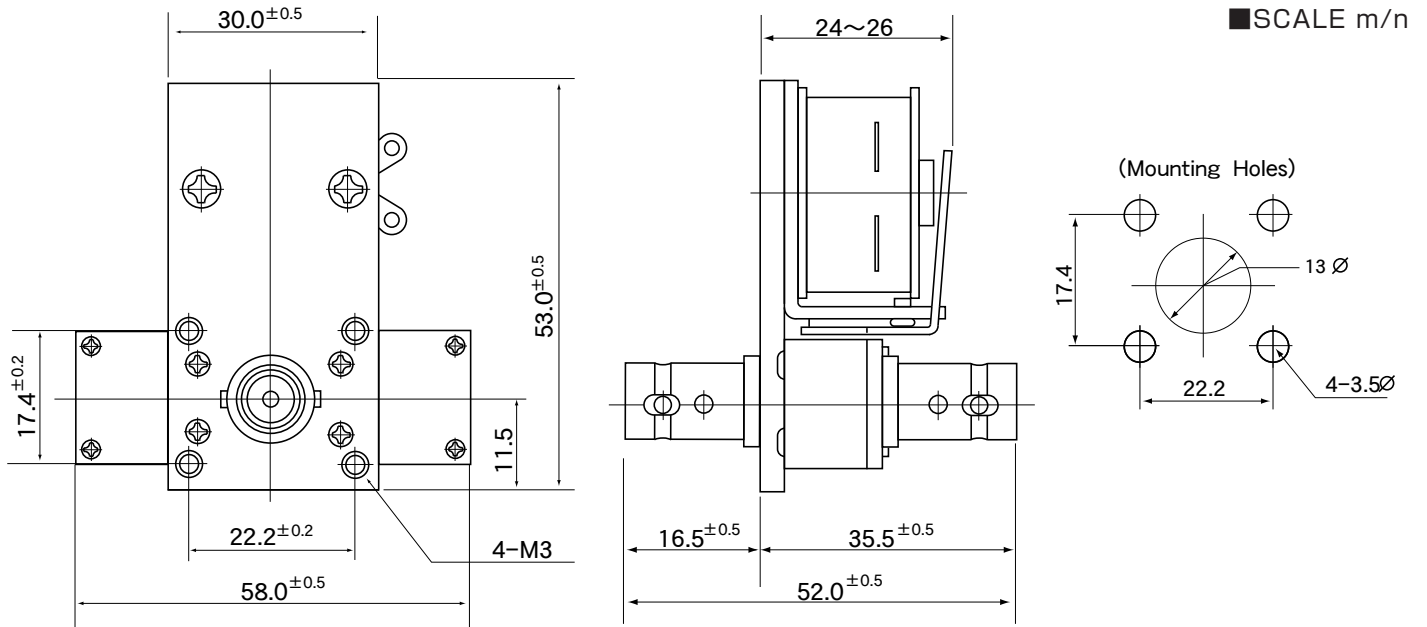
10Vdc - 14Vdc

Resistance Ohms

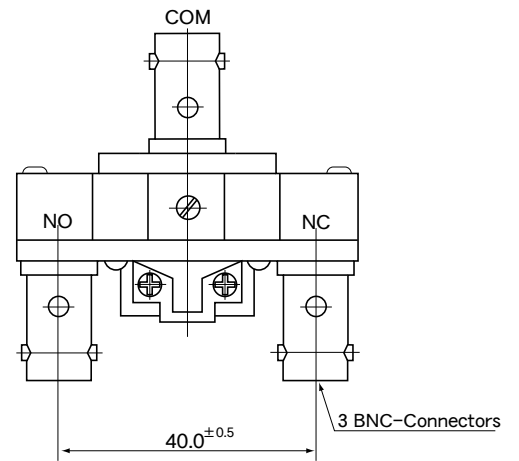
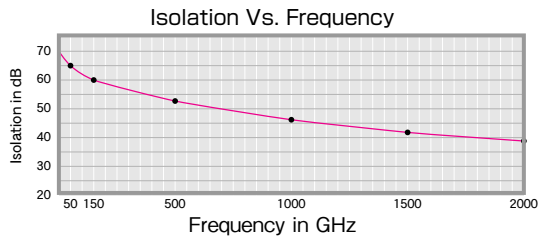
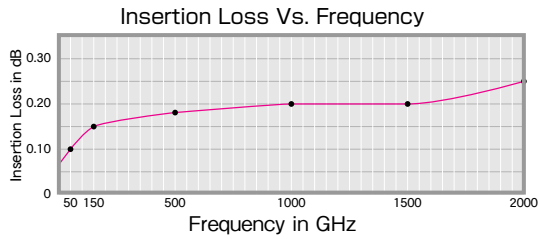
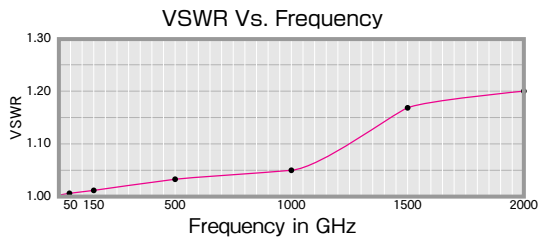
86 ±10% 20°C

Note : Other voltages are also available at option.

DIMENSIONS



Typical Operating Curves



Schematic

